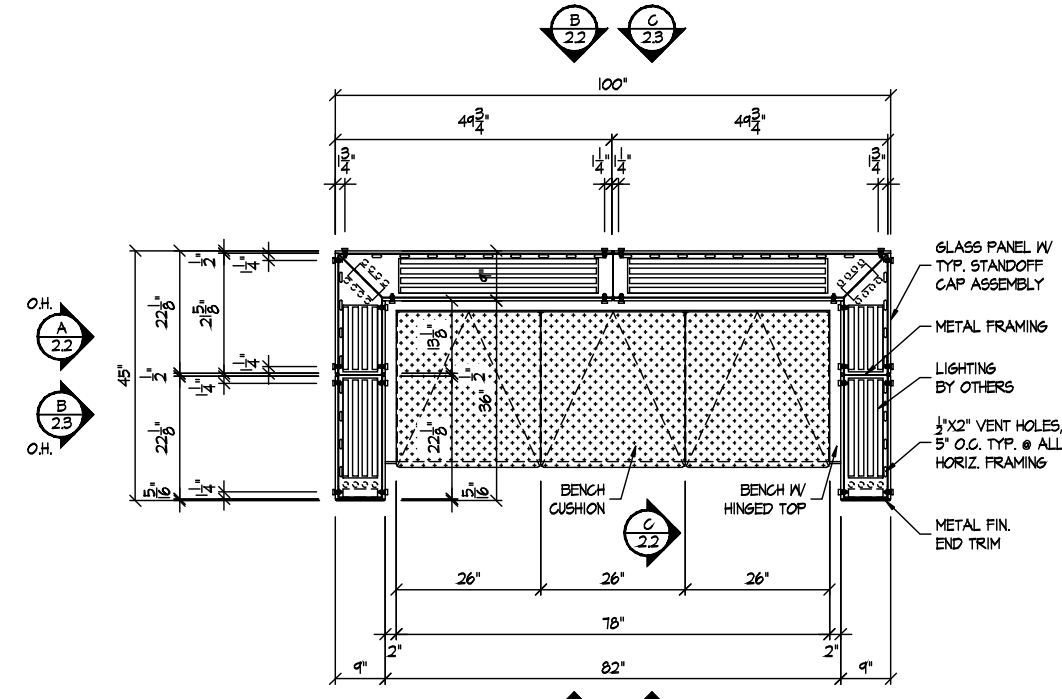


**B REFLECTED CEILING PLAN** AT NIGHT CLUB SETTEE  
SCALE: 3/4"=1'-0"  
ARCH. REF. NONE

NOTE: REFLECTED CEILING PLAN DEPICTS GYP. SOFFIT. SETTEE WAS OMITTED FOR CLARITY. DASHED LINES INDICATE EXTENTS OF SETTEE FOR COORDINATION ONLY.

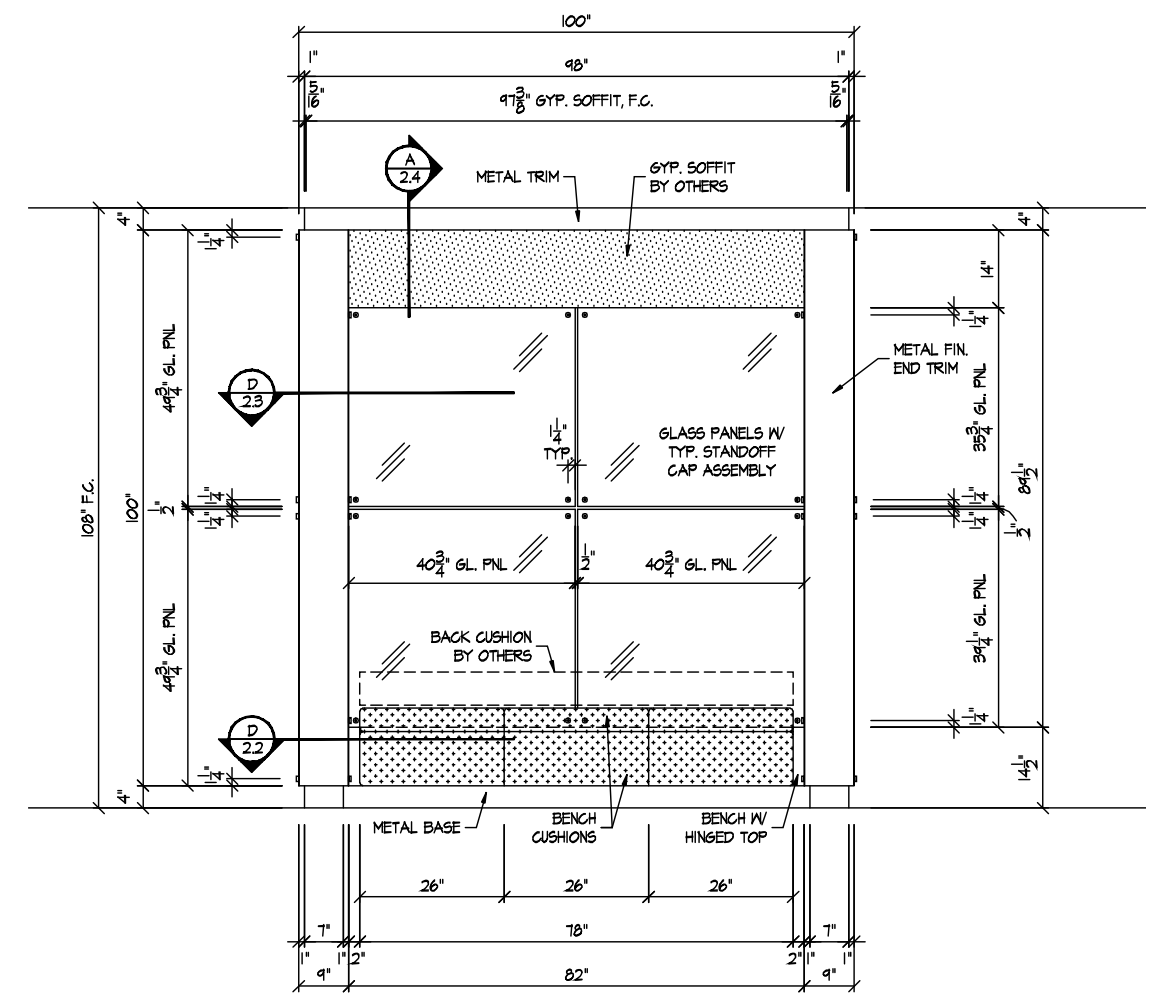


**A PLAN** NIGHT CLUB SETTEE  
SCALE: 3/4"=1'-0"  
ARCH. REF. 1/4-118-N408.A  
**3 REQUIRED AS SHOWN**

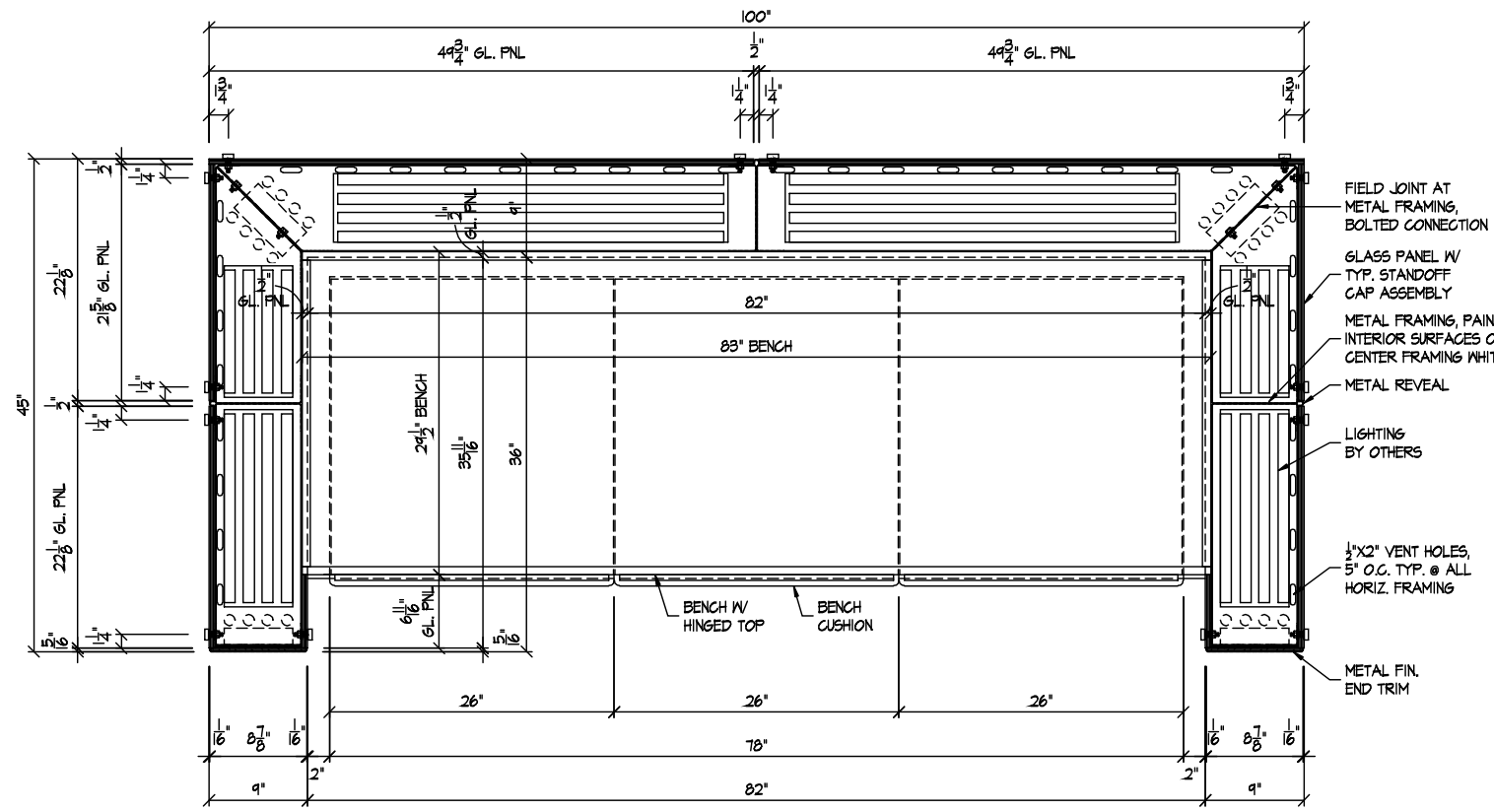
- MATERIAL** - Bench, 3/4" MDO (SHOP PAINTED)  
Bench Cushions, TUFTED SEAT CUSHIONS  
Surround Panels, 1/2" GLASS (GL-401) PANELS  
Surround Framing, 16 GA. BREAK FORMED METAL (MTL-400) CHANNEL AND STRAPPING  
Surround Reveal Material, 16 GA. BREAK FORMED METAL (MTL-400)  
Surround Base and Trim, 16 GA. METAL (MTL-400) ON 1/4" BACKER AS REQUIRED
- FINISH** - Paint, SHOP PAINTED WHITE  
Bench Cushions, ARCH TO PROVIDE UPHOLSTERY SELECTION  
Glass (GL-401), PULP, FROSTED TEMPERED GLASS, REF. #5044-2  
Metal (MTL-400), STAINLESS STEEL W/ POLISHED FINISH

HARDWARE LIST		
NO. REQ'D.	DESCRIPTION	CATALOG NO.
336 pcs	Ø1" STANDOFF CAP W/ STUD	*STANDOFF SYSTEMS CAP 9
1008 pcs	Ø1/8" X 1/32" NOEPRENE WASHER	*STANDOFF SYSTEMS HD-NW875
20 LF	BUSHING	*STANDOFF SYSTEMS HD-PT3
336 pcs	5/16-18 ST. STEEL NUT	McMASTER-CARR #91B47A030
5 pcs	1-1/2" PIANO HINGE	STANLEY #314

\* ADDITIONAL INFORMATION ON STANDOFF SYSTEMS HARDWARE CAN BE OBTAINED BY PHONE AT 775.824.1212, ONLINE AT [www.standoffsystems.com](http://www.standoffsystems.com) OR BY EMAIL AT [info@standoffsystems.com](mailto:info@standoffsystems.com).

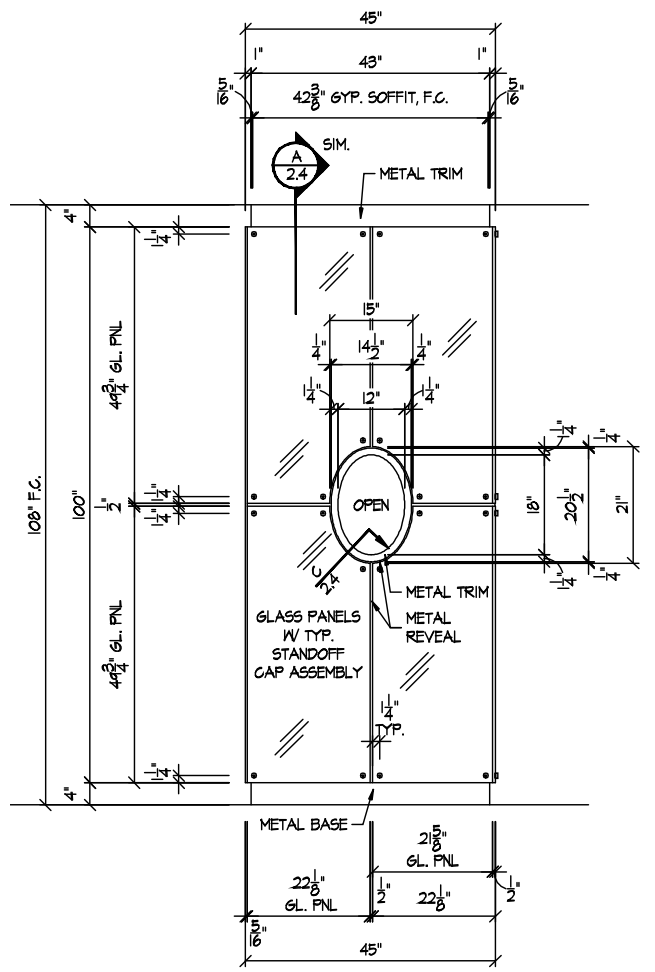


**C ELEVATION** NIGHT CLUB SETTEE  
SCALE: 3/4"=1'-0"  
ARCH. REF. 1/4-118-N408.A

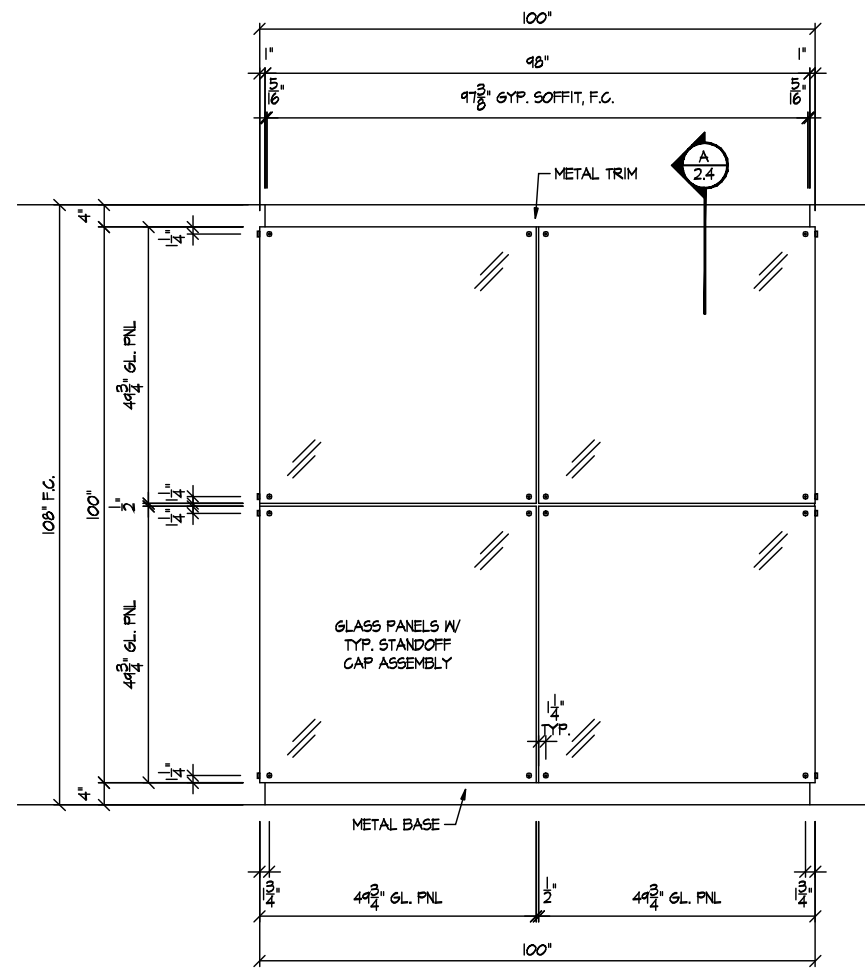


- FIELD JOINT AT METAL FRAMING, BOLTED CONNECTION
- GLASS PANEL W/ TYP. STANDOFF CAP ASSEMBLY
- METAL FRAMING, PAINT INTERIOR SURFACES OF CENTER FRAMING WHITE
- METAL REVEAL
- LIGHTING BY OTHERS
- 1/2" X 2" VENT HOLES, 5" O.C. TYP. @ ALL HORIZ. FRAMING
- METAL FIN. END TRIM

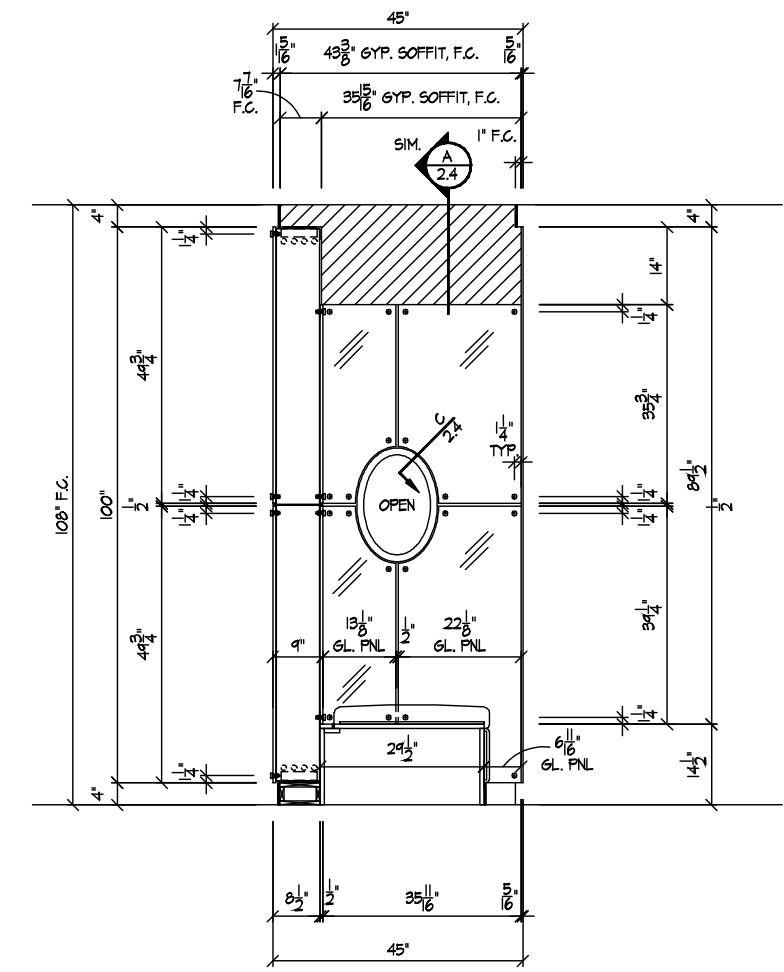
**D PLAN SECTION**  
 SCALE: 1/2"=1'-0"  
 ARCH. REF. NONE



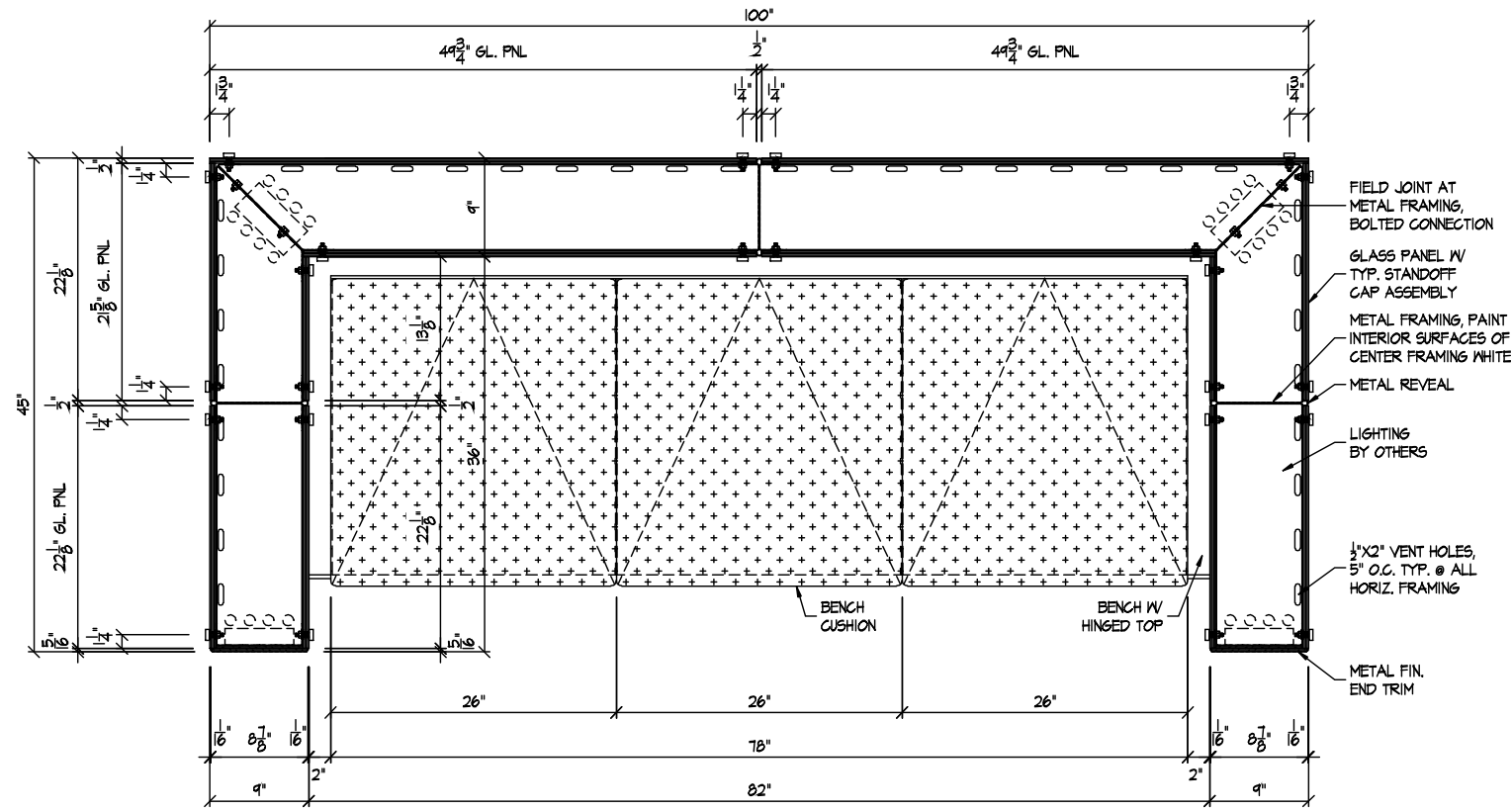
**A ELEVATION**  
 SCALE: 3/4"=1'-0"  
 NIGHT CLUB SETTEE  
 ARCH. REF. 1A-118-N408.A



**B ELEVATION**  
 SCALE: 3/4"=1'-0"  
 NIGHT CLUB SETTEE  
 ARCH. REF. 1A-118-N408.A

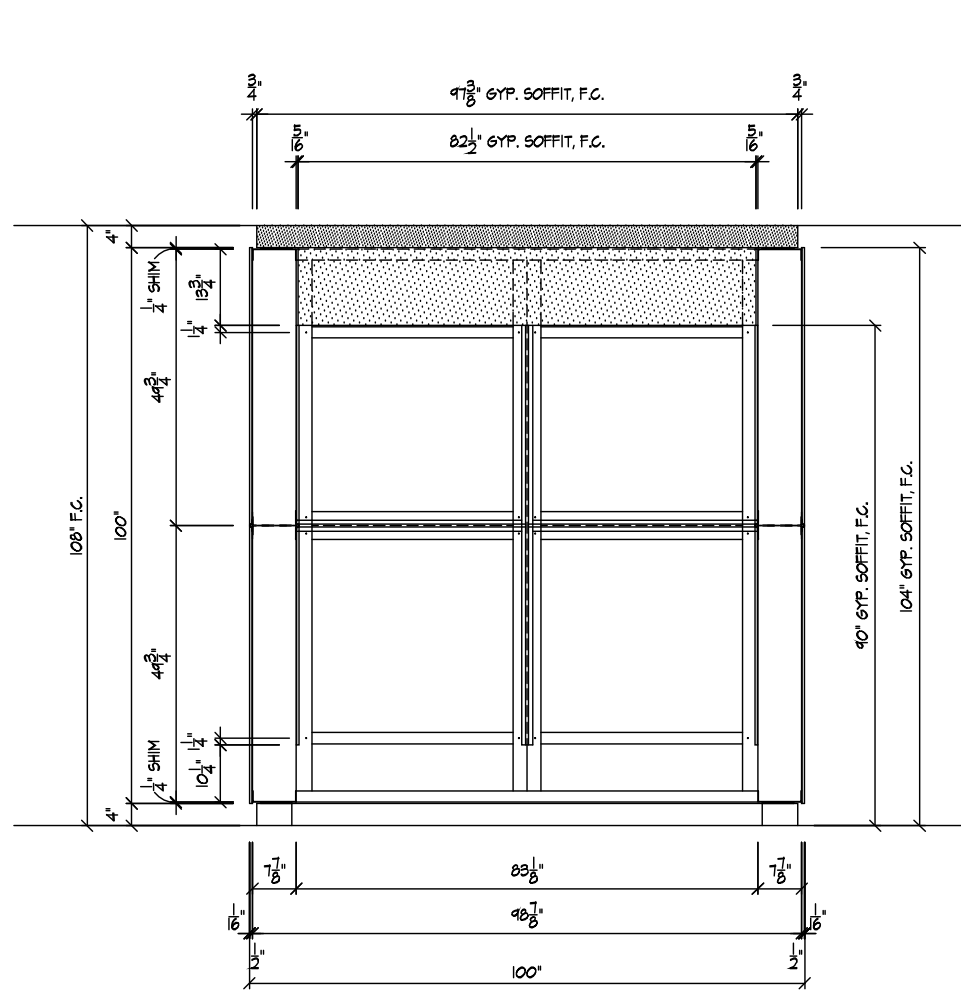


**C ELEVATION**  
 SCALE: 3/4"=1'-0"  
 NIGHT CLUB SETTEE  
 ARCH. REF. 2A-118-N408.A

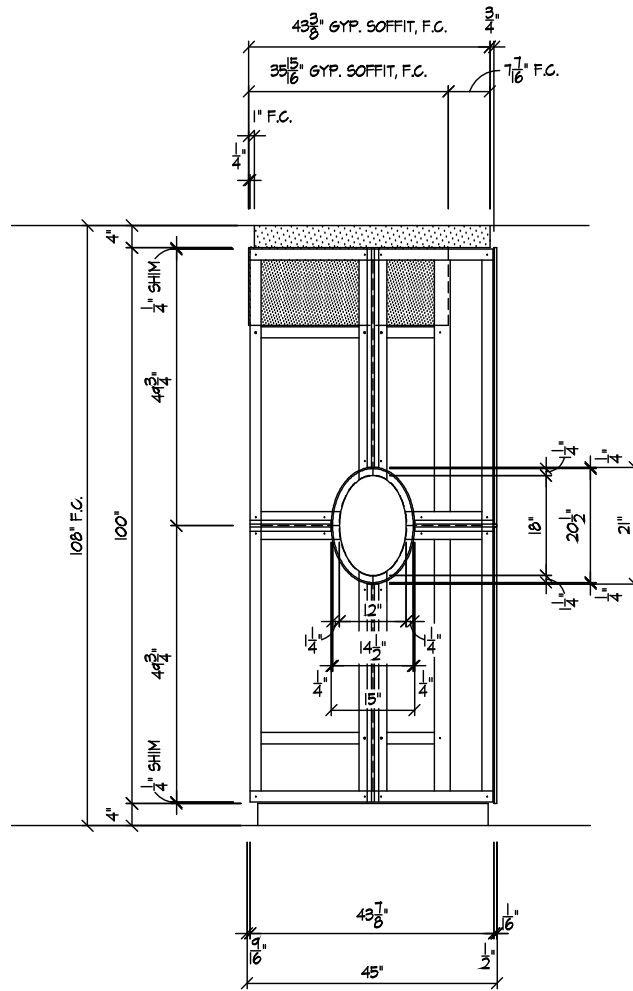


**D PLAN SECTION**  
 SCALE: 1/2"=1'-0" ARCH. REF. NONE

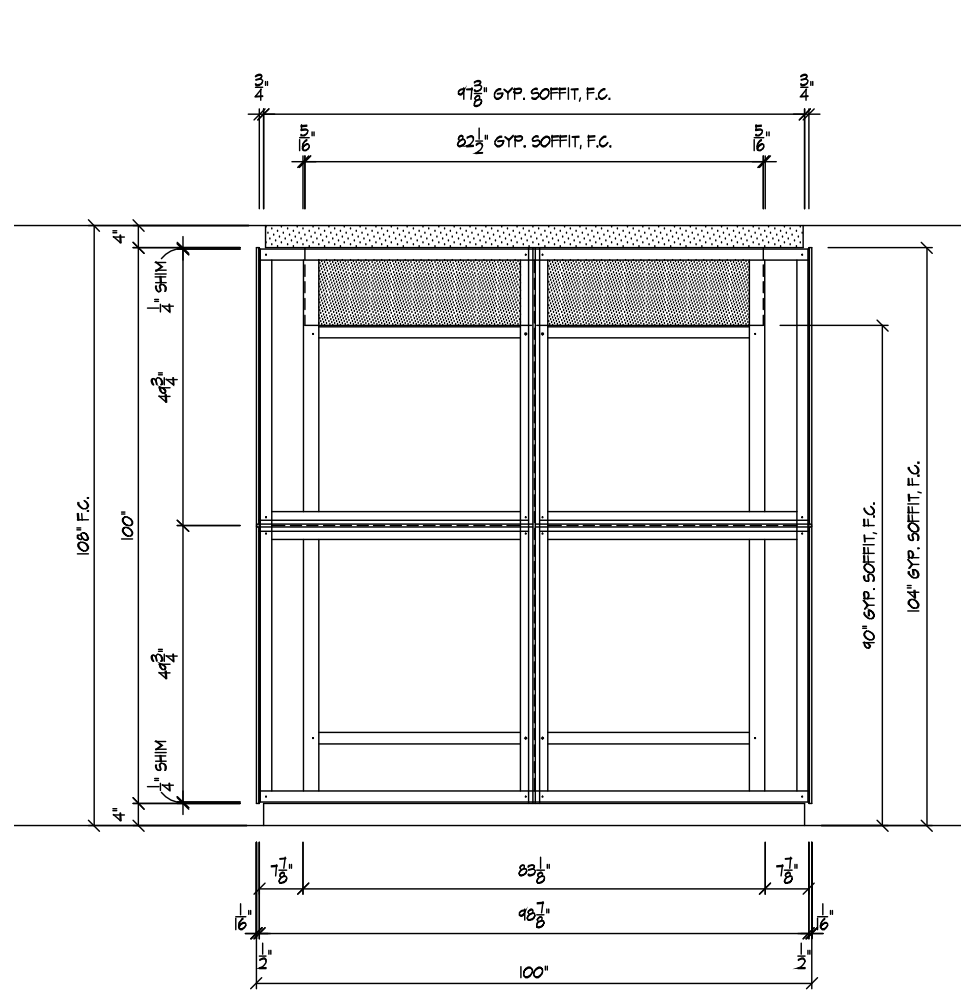
- FIELD JOINT AT METAL FRAMING, BOLTED CONNECTION
- GLASS PANEL W/ TYP. STANDOFF GAP ASSEMBLY
- METAL FRAMING, PAINT INTERIOR SURFACES OF CENTER FRAMING WHITE
- METAL REVEAL
- LIGHTING BY OTHERS
- 1/2 X 2 VENT HOLES, 5 O.C. TYP. @ ALL HORIZ. FRAMING
- METAL FIN. END TRIM



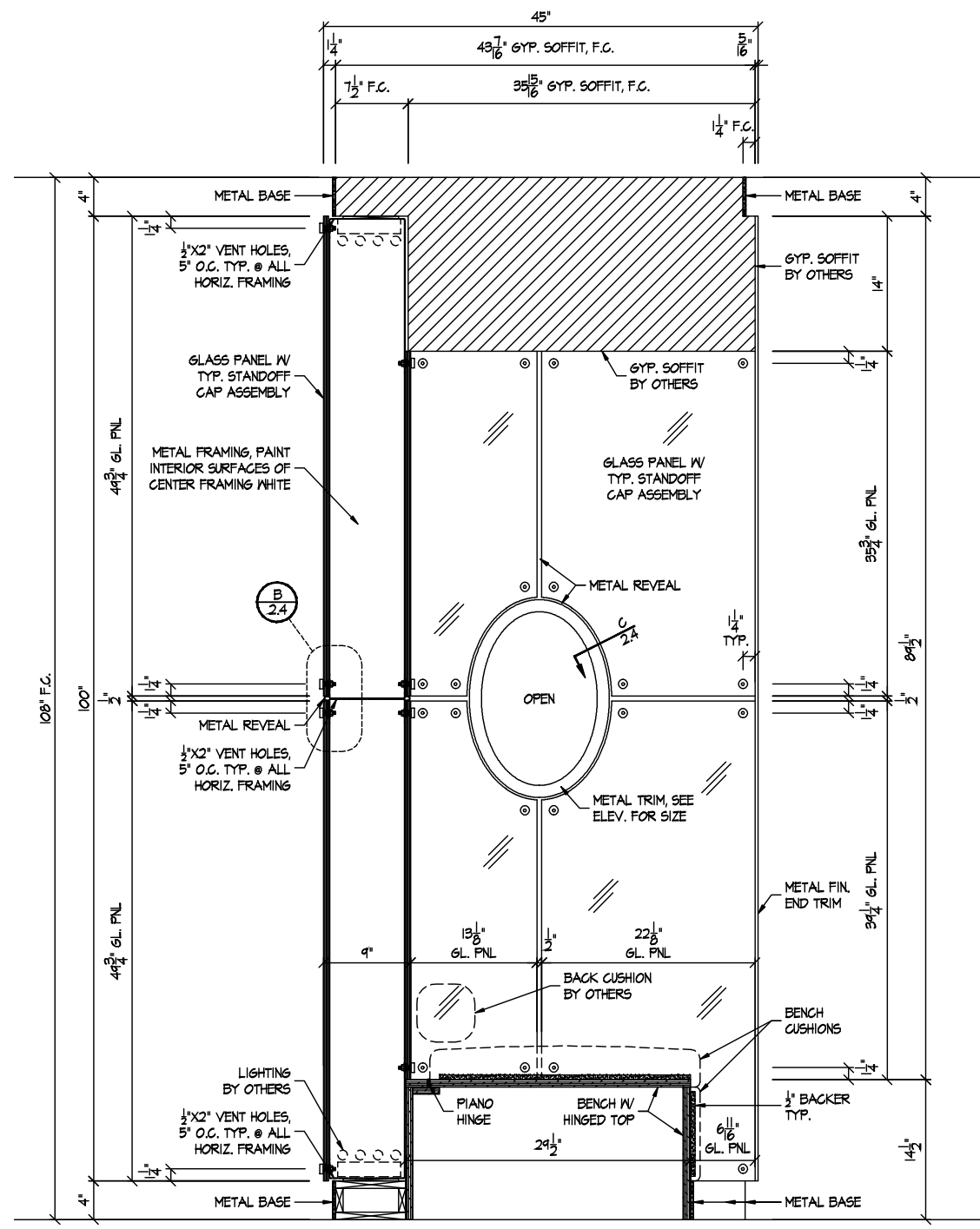
**A ELEVATION**  
 SCALE: 3/4"=1'-0" SETTEE METAL FRAMING ARCH. REF. NONE



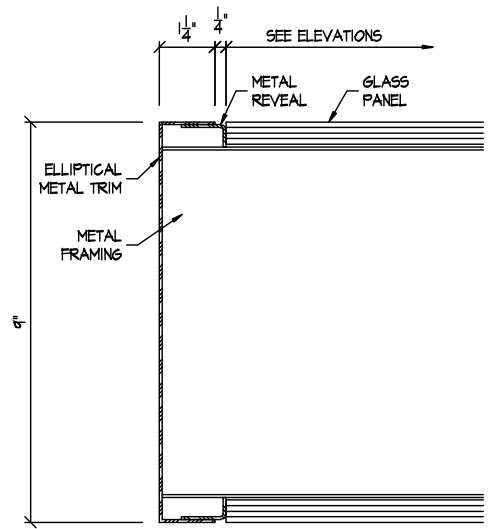
**B ELEVATION**  
 SCALE: 3/4"=1'-0" SETTEE METAL FRAMING ARCH. REF. NONE



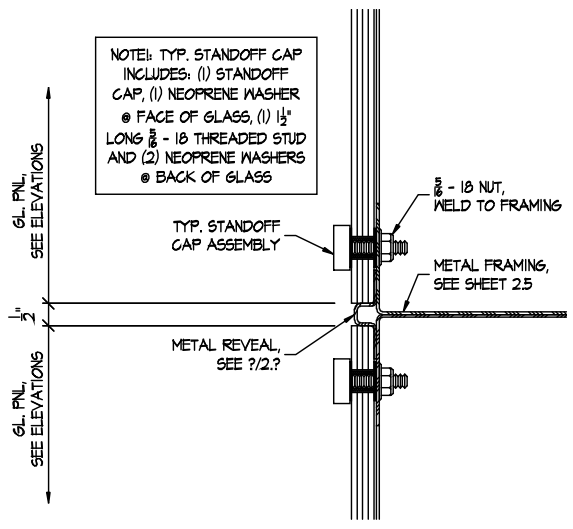
**C ELEVATION**  
 SCALE: 3/4"=1'-0" SETTEE METAL FRAMING ARCH. REF. NONE



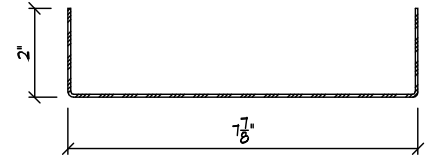
**A SECTION**  
 SCALE: 1/2"=1'-0"  
 ARCH. REF. 24-118-N409A



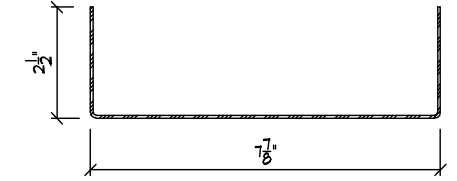
**C DETAIL** ELLIPTICAL METAL TRIM  
 SCALE: 6"=1'-0"  
 ARCH. REF. NONE



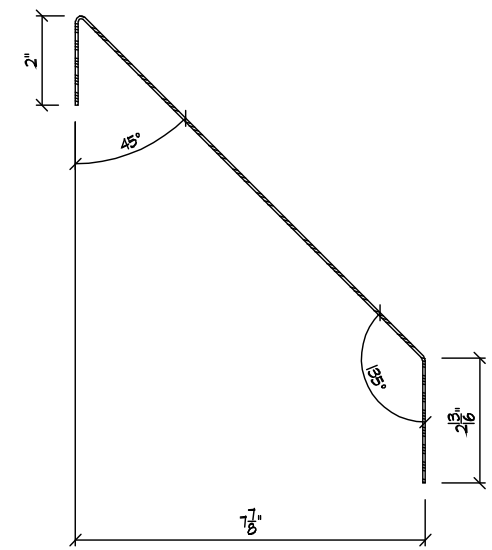
**B DETAIL** TYP. STANDOFF DETAIL  
 SCALE: 6"=1'-0"  
 ARCH. REF. NONE



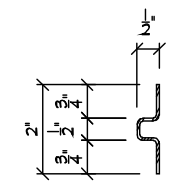
**C** DETAIL  
2.5 SCALE: 6"=1'-0"  
TYP. FRAMING MEMBER  
ARCH. REF. NONE



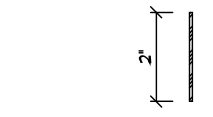
**B** DETAIL  
2.5 SCALE: 6"=1'-0"  
FRAMING INTERMEDIATE MEMBER  
ARCH. REF. NONE



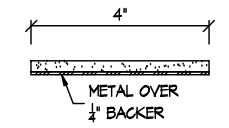
**A** DETAIL  
2.5 SCALE: 6"=1'-0"  
METAL FRAME MEMBER  
ARCH. REF. NONE



**E** DETAIL  
2.5 SCALE: 6"=1'-0"  
REVEAL MATERIAL  
ARCH. REF. NONE



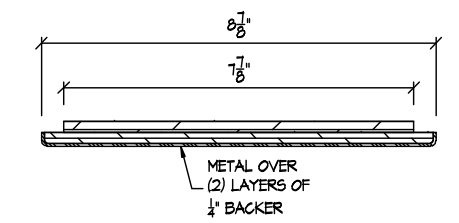
**D** DETAIL  
2.5 SCALE: 6"=1'-0"  
FRAMING STRAP  
ARCH. REF. NONE



**F** DETAIL  
2.5 SCALE: 6"=1'-0"  
METAL TRIM  
ARCH. REF. NONE

(4) 100" PCS REQUIRED PER UNIT  
(5) 45" PCS REQUIRED PER UNIT

(12) 100" PCS REQUIRED TOTAL  
(15) 45" PCS REQUIRED TOTAL



**G** DETAIL  
2.5 SCALE: 6"=1'-0"  
FINISHED END  
ARCH. REF. NONE

(2) 100' PCS REQUIRED PER UNIT  
(6) 100' PCS REQUIRED TOTAL